

Specifications

Model	TZ-34/20	
Measurements	US	Metric
Working height*	40 ft	12.36 m
Platform height	34 ft	10.36 m
Entry height - extended	6.4 in	.16 m
Horizontal reach	18 ft 4 in	5.59 m
Clear out reach	13 ft 5 in	4.09 m
Up and over clearance	16 ft 1 in	4.90 m
A Platform length	2 ft 2.8 in	.68 m
B Platform width	3 ft 8 in	1.12 m
C Height - stowed	6 ft 4.5 in	1.94 m
D Length - stowed	18 ft .5 in	5.50 m
E Width - stowed	4 ft 9.1 in	1.45 m
F Ground clearance	9.5 in	.24 m
G Length - outrigger footprint	10 ft 8.4 in	3.26 m
H Width - outrigger footprint	11 ft 9.4 in	3.59 m

Productivity

Lift capacity (ANSI, CSA) - standard	500 lbs	227 kg
Lift capacity (ANSI, CSA) - rotating platform	460 lbs	209 kg
Lift capacity (CE/AUS) - standard	440 lbs	200 kg
Lift capacity (CE/AUS) - rotating platform	400 lbs	181 kg
Self leveling platform	standard	
Platform rotation option	90° mechanical	
AC power to platform	standard	
Turntable rotation	359° non-continuous	
Outrigger leveling capability	11°	
Towing speed rate	60 mph	97 km/h
Tongue weight - ANSI, CSA	315 lbs	143 kg
Tongue weight - CE	163 lbs	74 kg
Surge and parking brakes	standard	
Controls	variable speed system	
Tire size	ST 205/75 R15	
Coupler	2 in (5.08 cm) hitch coupler standard	

Power

Power source	24V DC (four 6V 225Ah batteries)	
Hydraulic tank capacity	3.85 gal	14.57 L
Hydraulic system capacity	4.5 gal	17 L

Weight**

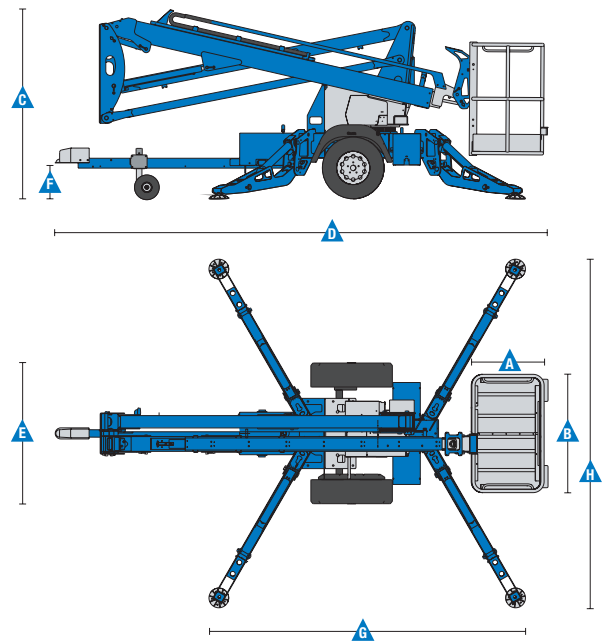
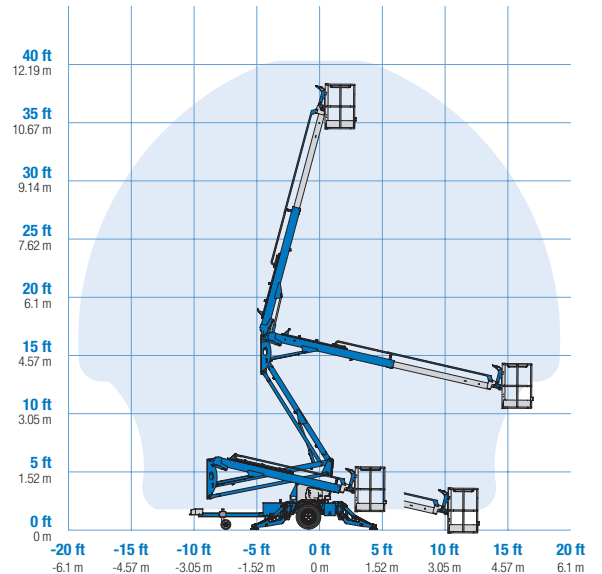
ANSI, CSA, Australia	3,155 lbs	1,431 kg
CE	3,170 lbs	1,438 kg

Standards Compliance

ANSI A92.2, CSA C225, EN 280, AS 1418.10

* The metric equivalent of working height adds 2 m to platform height. U.S. adds 6 ft to platform height.
** Weight will vary depending on options and/or country standards.

Range Of Motion TZ-34/20



Features

Standard Features

Measurements

- 40 ft (12.36 m) working height
- 18 ft 4 in (5.59 m) horizontal reach
- Up to 500 lbs (227 kg) lift capacity

Productivity

- Industry leading working envelope
- Extension boom
- Self-leveling platform
- Variable speed control system
- AC wiring to platform
- Hydraulic outriggers
- Automatic 11° leveling system
- Outrigger interlocks
- Mechanical parking brake
- Hydraulic surge brakes
- 2 in (5.08 cm) coupler lever lock
- Hitch pull bar
- Adjustable hitch with coupler lever lock
- Single jockey wheels
- 359° non-continuous turntable rotation
- Easy to access batteries
- Hour meter
- Tilt alarm / sensor
- Forklift pockets
- Illuminated outrigger indicators
- Highway safety chains with snap hook

Power

- 24V DC power source
(four 6V 225 Ah batteries)

Configurations

Platform Options

- Aluminum 26.8 x 44 in (.68 x 1.12 m)
- 90° mechanical platform rotation
- LED brake lights (ANSI)

Power

- 24V DC power source

Coupler Options

- Adjustable hitch
 - 2 in (5.08 cm) ball coupler
 - 2 5/16 in (5.87 cm) ball coupler
 - 2 1/2 in (6.53 cm) I.D. pintle ring coupler
 - Clevis coupler

Tire Options

- ST 205/75 R15 tires (ANSI, CSA)
- 185 R14C tires (CE)
- Dual 10 in (25.4 cm) air filled tires

Options & Accessories

Productivity

- 90° mechanical platform rotation
- Wheel chocks
- Fluorescent tube caddy
- Full size spare tire
- Flashing beacon
- Non-marking outrigger footpads
- Battery charge indicator (BCI)
- Tool tray
- Bicycle guard (CE)
- Horn
- LED brake lights



Genie United States

18340 NE 76th Street
P.O. Box 97030
Redmond, Washington 98073-9730
Telephone +1 (425) 881-1800
Toll Free in USA/Canada +1 (800)-536-1800
Fax +1 (425) 883-3475

Distributed By: